

TMX20-2

MINI EXCAVATOR

Engine power : 28HP @ 2000 rpm

Operating weight : 2200 kg

Bucket capacity : 0.04 m³ - 0.12m³
0.07 m³ (Std.)

TATA HITACHI

Reliable solutions

The Mini Marvel



INDIA'S FIRST COMPACT EXCAVATOR

INDIA'S FIRST EXCAVATOR WITH BOOM SWIVEL

BEST IN CLASS FUEL EFFICIENCY

SERVES A VARIETY OF APPLICATIONS



SPECIFICATIONS

ENGINE

Make.....Simpson
 Model.....S217
 Type.....Water cooled, 2 Cyl. Inline
 Rated Flywheel Power.....28 PS @ 2000 rpm
 Max. Torque.....10.9kgf-m @ 1400 rpm
 Battery.....12 V

HYDRAULIC SYSTEM

Main Pumps.....One gear pump
 Flow Rate.....63.6 lpm

SUPER STRUCTURE

Swing Speed.....11 rpm
 Boom Swing Angle..... StandardLeft 50°, Right 90°
 Optional.....Left 90°, Right 50°

RELIEF VALVE SETTINGS

Implement Circuit.....150 kgf/cm²
 Swing Circuit.....145 kgf/cm²
 Travel Circuit.....150 kgf/cm²
 Pilot Circuit.....25 kgf/cm²

UNDERCARRIAGE

Shoe Width.....280 mm
 No. of Track Shoes.....36 x 2
 No. of Upper Rollers.....1 x 2
 No. of Lower Rollers.....3 x 2

SERVICE REFILL CAPACITIES

Hydraulic System.....70 ltr
 Hydraulic Tank.....45 ltr
 Fuel Tank.....37 ltr
 Engine Coolant.....7.5 ltr
 Engine Oil......05 ltr
 Travel Device (Each Side).....0.8 ltr

WEIGHTS AND GROUND PRESSURE

Operating Weight.....2200 kg
 Ground Pressure.....0.30 kg/cm²

BACKHOE ATTACHMENT

Boom.....1900 mm
 Arm.....1000 mm

Authorised Dealer



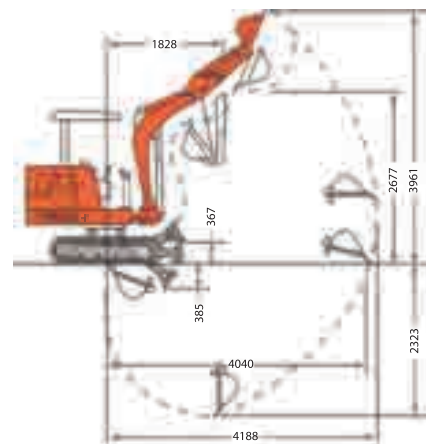
BUCKETS

Capacity (PCSA)	Width with Side Cutters	Width w/o Side Cutters	Weight	No. of Tooth Points
0.04 m ³	350 mm	310 mm	42.5 kg	3
0.07 m ³	530 mm	490 mm	55 kg	4
0.09 m ³	530 mm	490 mm	66 kg	4
0.12 m ³	-	535 mm	71.3 kg	0

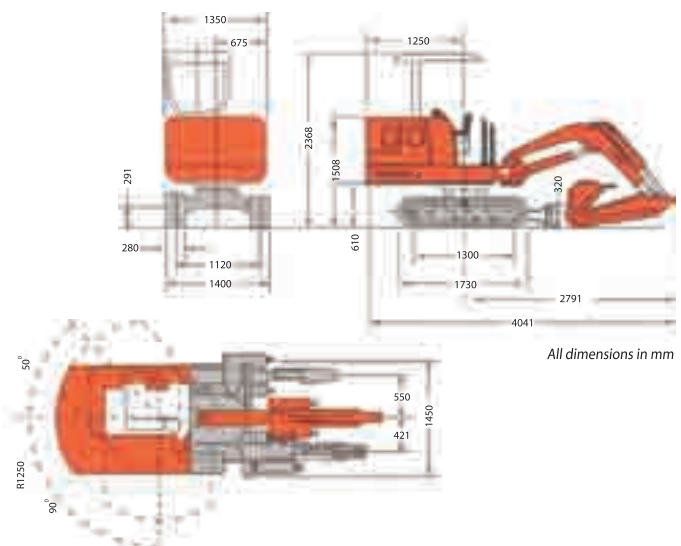
DIGGING FORCES

Arm Crowd Force.....1300 kgf
 Bucket Digging Force.....1890 kgf

WORKING RANGE



DIMENSIONS



Tata Hitachi Construction Machinery Company Limited

Registered Office: Jubilee Building 45 Museum Road Bangalore 560 025 India
 Telephone: +91 80 66953301 02 03 04 05 Fax: +91 80 66953309 25325792
 Email: tatahitachi@tatahitachi.co.in Website: www.tatahitachi.co.in

Toll Free : 1800 3456 500

The Specifications are subject to change without prior notice. Please contact our nearest office for latest specifications. Accessories shown here are not part of the standard equipment. Performance of the machine may vary with site and operating conditions encountered

