

# TATA HITACHI

Reliable solutions

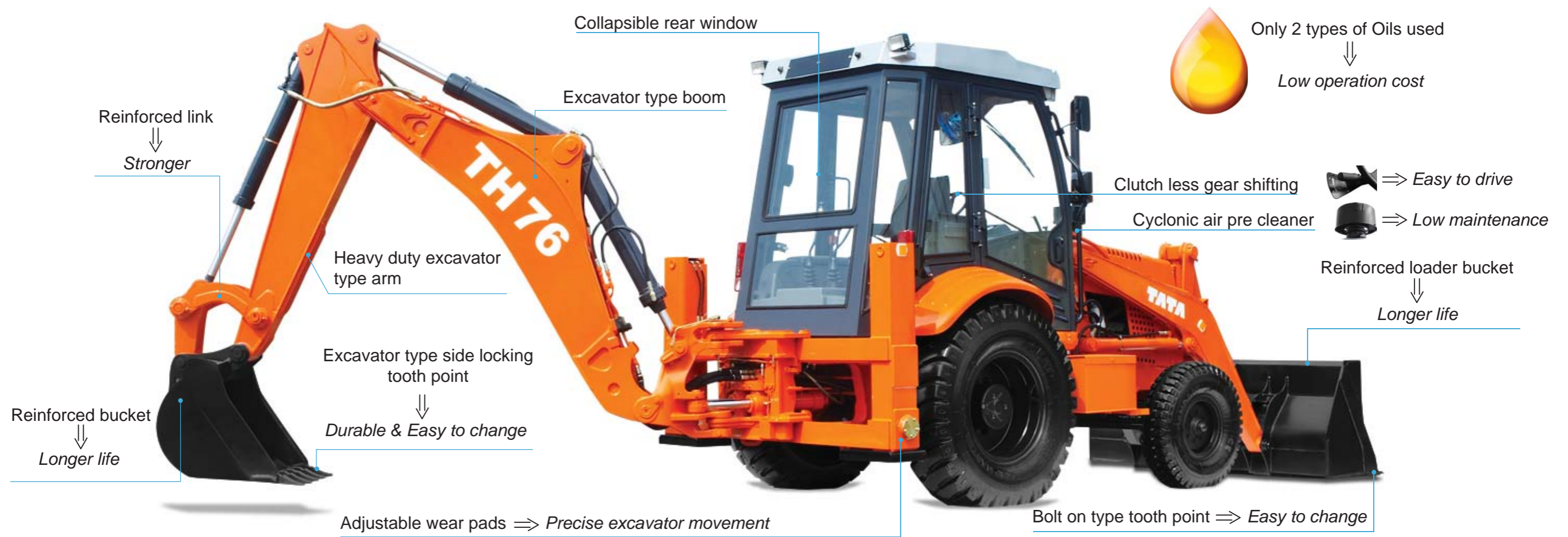
## TH 76

*Versatile.*



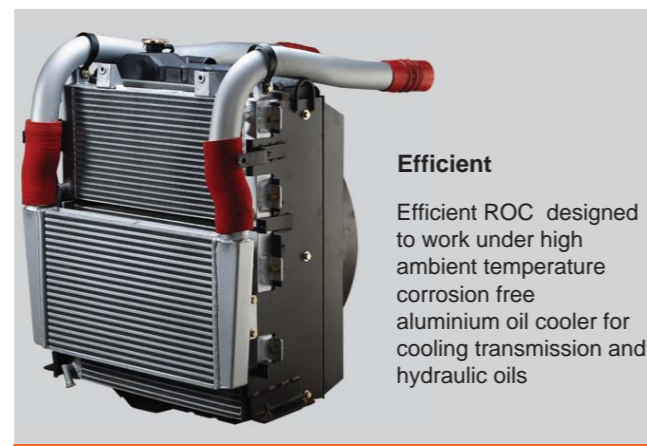
### EXCAVATOR LOADER

Gross Power : 76 PS @ 2200 rpm  
Operating Weight : 7350 kg  
Bucket Capacity  
Backhoe : 0.25 m<sup>3</sup>  
Loader : 1.0 m<sup>3</sup>



**Versatile & Fuel Efficient**  
 BS III compliant, 4 Cylinder, water cooled, Turbo charged engine with Intercooler. Proven TATA Engine with in-line fuel pump designed to work in Indian conditions

**ENGINE**



**Efficient**  
 Efficient ROC designed to work under high ambient temperature corrosion free aluminium oil cooler for cooling transmission and hydraulic oils

**ROC**



**Long Life**  
 Hydraulic hoses with multiple protective layers for longer life

**HOSES**



**Spacious**  
 Spacious cabin with helper seat, ergonomically designed instrument panels and control levers for better operator comfort



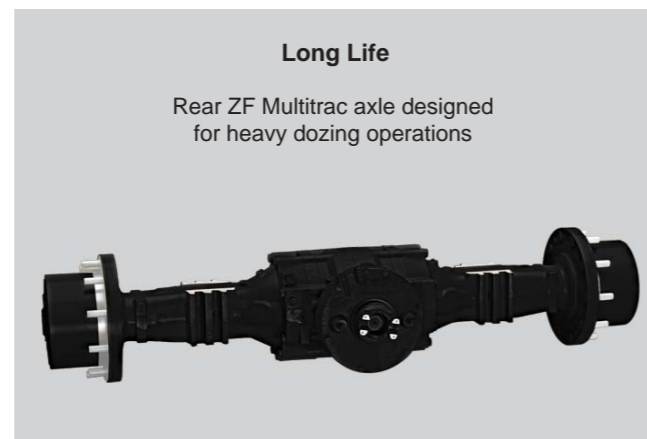
**Comfortable**  
 Deluxe operator seat with height adjustment, arm rest and seat belt

**CABIN**



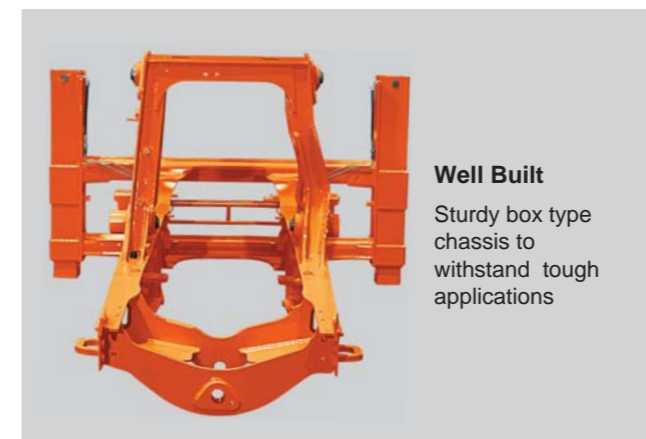
**Long Life & Higher Speeds**  
 Durable ZF Powershift transmission with extended service life

**TRANSMISSION**



**Long Life**  
 Rear ZF Multitrac axle designed for heavy dozing operations

**AXLE**



**Well Built**  
 Sturdy box type chassis to withstand tough applications

**FRAME**

# SPECIFICATIONS

## ENGINE

Make & Model.....TATA 497 TCIC  
 Type.....Turbo Charged, Inter Cooled 4 Cylinder Diesel Engine  
 Gross Power.....76 PS @ 2200 rpm  
 Max.Torque.....28 kg-m @ 1300-1700 rpm  
 Battery.....12 V-130 AH

## HYDRAULIC SYSTEM

Efficient hydraulic system with gear type heavy duty pump

	Flow @ 2200 rpm	Pressure
<b>Backhoe</b>	106 lpm	200 bar
<b>Loader</b>	106 lpm	200 bar

Filter

Return oil, spin-on type, replaceable, 10 micron element.

## TRANSMISSION

TH 76 is equipped with fully Powershift transmission sourced from the internationally renowned ZF, with heavy duty clutch packs for smooth and easy gear shift.

The integral Torque converter has stall ratio of 1:2.63 which increases the tractive effort, making dozing operation easy in tough conditions. Powershift transmission facilitates "on the move clutch less gear shift" through the click of the knob both in forward and reverse direction.

## AXLES

### Front Axle

The rigid non-powered front axle for two wheel drive version can float 18° to take care of unevenness of ground.

### Rear Axle

Rear ZF Multitrac Axle is a heavy duty, long-life axle. High brake torque is assured by internal wet multi-disc brakes that are self adjusting and require little maintenance. Parking Brake is spring applied hydraulically released which is enclosed in the axle housing and provides full protection from damage, dirt and corrosion.

## TRAVEL SPEEDS

Travel speeds with standard rear tyres. (16.9-28, 12 PR)

	Forward	Reverse
Gear 1	6 kmph	7 kmph
Gear 2	10 kmph	13 kmph
Gear 3	21 kmph	
Gear 4	36 kmph	

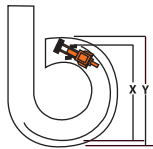
## TURNING RADIUS 2WD

### X Curb turning circle

With brakes.....7140 mm  
 Without brakes.....8808 mm

### Y Bucket clearance circle

With brakes.....9610 mm  
 Without brakes.....10500 mm



## REFILL CAPACITIES

Fuel tank (with ground level fueling).....136.0 ltr  
 Engine coolant.....21.9 ltr  
 Engine oil including filter.....9.0 ltr  
 Transmission.....13.0 ltr  
 Hydraulic system.....91.0 ltr  
 Rear axle.....16.0 ltr

## BUCKETS

Loader End	Width	Capacity	Weight
Tilt dump bucket	2346 mm	1.00 m <sup>3</sup>	522 kg

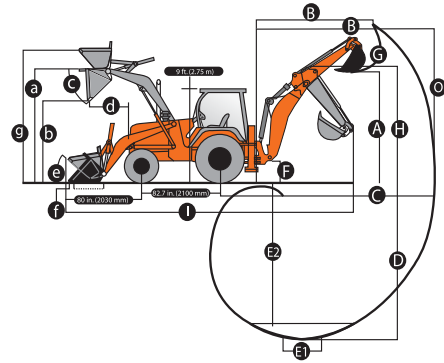
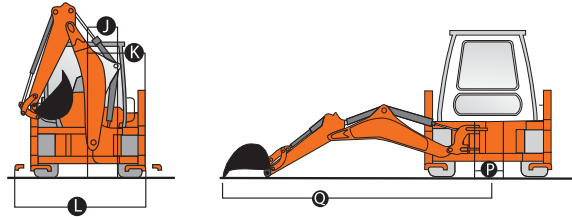
Backhoe End	Width	Capacity	Weight
General purpose bucket	711 mm	0.25 m <sup>3</sup>	193 kg
Heavy-duty bucket	610 mm	0.22 m <sup>3</sup>	180 kg

## TYRES

Front Tyres (standard).....9-16, 16 PR

### Rear Tyres

(standard)...Industrial tyres.....16.9-28, 12 PR  
 (standard)...Heavy duty tyres.....14-25, 20 PR



Loader Performance	Bucket Types
	Tilt Dump Bucket
Break force	4140 kgf
Lifting capacity, full height	2700 kg
a. Height to bucket hinge pin, maximum	3400 mm
b. Dump clearance, bucket at 45°	2640 mm
c. Bucket dump angle, maximum	45°
d. Reach at full height, bucket at 45°	765 mm
e. Rollback angle at ground level	40°
f. Digging depth below ground, bucket level	206 mm
g. Max. operating height	3820 mm

Backhoe Performance	Boom Length : 2.56 m
<b>Digging force, bucket cylinder : 5300 kgf</b> <b>Digging force, arm cylinder : 3200 kgf</b>	<b>*Arm Length 1.72 m</b>
A Loading height, truck loading position	3560 mm
B Max. reach from centre of swing point at ground	5415 mm
C Reach from centre of rear axle	6841 mm
D Maximum digging depth	4248 mm
E Digging depth	
(E1) 610 mm flat bottom	4200 mm
(E2) 2440 mm flat bottom	3890 mm
F Ground clearance, minimum	350 mm
G Bucket rotation	184°
H Transport height	3670 mm
I Overall length, transport	5210 mm
J Side-shift from tractor centre line	532 mm
K Wall to swing centre line	580 mm
L Stabilizer width	2235 mm
Lift capacity to bucket pivot	1699 kg
O Maximum cutting height (stab. full open)	5750 mm
(stab. closed)	5250 mm
P Total side shift travel	1050 mm
Q Max. side reach (with side shift) from centre of machine	5878 mm

\*All backhoe specification are with 0.25 m<sup>3</sup> bucket.

The Specifications are subject to change without prior notice. The Machine depicted may vary from the actual Machine Please contact our nearest office for latest specifications. Accessories shown here are not part of the standard equipment Performance of the machine may vary with site and operating conditions encountered

## Tata Hitachi Construction Machinery Company Limited

Registered Office : Jubilee Building 45 Museum Road Bangalore 560 025 India  
 Telephone: +91 80 66953301 02 03 04 05 Fax: +91 80 66953309 25325792

Toll Free: 1800 3456 500



Authorised Dealer