

EX series

**TATA HITACHI**

Reliable solutions

**EX70**

*Mini Excavator  
Maxi Profits*



**HYDRAULIC EXCAVATOR**

Engine Power : 55 PS @ 2000 rpm  
Operating Weight : 7000 kg  
Bucket Capacity : 0.10 - 0.30 m<sup>3</sup>

Now with  
Auto Idle

2500  
Hrs  
Hydraulic Oil Change Interval

# SPECIFICATIONS

## ENGINE

Model.....	TATA 497 NA
Type.....	Water cooled, 4 cylinder in-line diesel engine
Rated fly wheel power.....	55 PS @ 2000 rpm
Max.torque.....	19 Kgf-m @ 1400 rpm
Batteries.....	12 V

## HYDRAULIC SYSTEM

Main pumps.....	2 variable displacements axial piston pumps
Flow rate.....	2 X 65 lpm
Pilot pump.....	1 gear pump
Flow rate.....	21 lpm

## SUPERSTRUCTURE

Swing speed.....	13.6 rpm
------------------	----------

## RELIEF VALVE SETTINGS

Implement circuit.....	265 kgf/cm <sup>2</sup>
Swing circuit.....	265 kgf/cm <sup>2</sup>
Travel circuit.....	280 kgf/cm <sup>2</sup>
Pilot circuit.....	35 kgf/cm <sup>2</sup>

## UNDERCARRIAGE

No.of upper rollers.....	1
No. of lower rollers.....	5
No. of track shoes.....	37
Shoe width.....	450 mm

## SERVICE REFILL CAPACITIES

Hydraulic tank.....	42.0 ltr
Hydraulic system.....	90.0 ltr
Fuel tank.....	135.0 ltr
Engine coolant.....	15.5 ltr
Engine oil.....	10.0 ltr
Swing device.....	1.8 ltr
Travel device (Each side).....	3.0 ltr

## WEIGHTS AND GROUND PRESSURE

Machine	Operating weight	Ground pressure
Backhoe	7000 kg	0.34 kgf /cm <sup>2</sup>

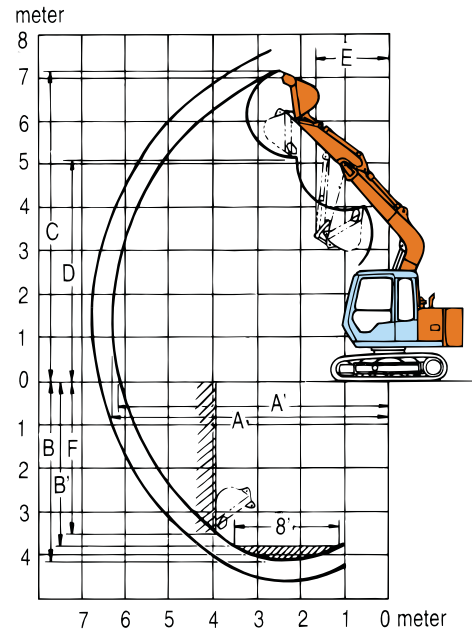
## DIGGING FORCES

Bucket digging force.....	5040 kgf
Arm crowd force.....	3855 kgf

## BUCKETS

Capacity	Width with side cutter	Width without side cutter	Weight	Tooth points
0.30 m <sup>3</sup>	750 mm	660 mm	229 kg	4 (GP)
0.25 m <sup>3</sup>	-	570 mm	208 kg	3 (HD)
0.10 m <sup>3</sup>	-	360 mm	167 kg	2 (Narrow)

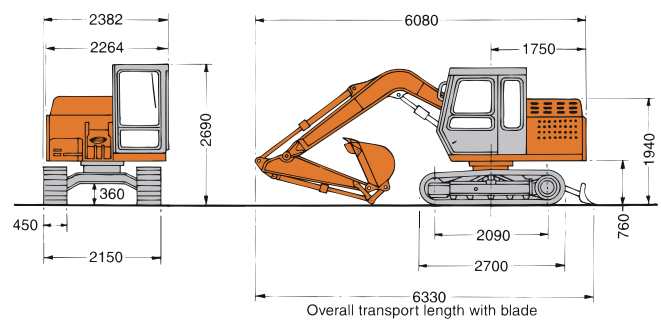
## WORKING RANGES



		3720	
	Boom length		
	Arm length	1620	2120
A	Max. digging reach	6310	6800
A'	Max. digging reach (on ground)	6160	6660
B	Max. digging depth	4150	4660
B'	Max. digging depth (8' level)	3800	4370
C	Max. cutting height	7150	7550
D	Max. dumping height	5070	5470
E	Min. swing radius	1700	2060
F	Max.vertical wall depth	3500	4060

All dimensions are in mm

## DIMENSIONS



The Specifications are subject to change without prior notice. The Machine depicted may vary from the actual Machine Please contact our nearest office for latest specifications. Accessories shown here are not part of the standard equipment Performance of the machine may vary with site and operating conditions encountered

## Tata Hitachi Construction Machinery Company Limited

Registered Office : Jubilee Building 45 Museum Road Bangalore 560 025 India  
Telephone: +91 80 66953301 02 03 04 05 Fax: +91 80 66953309 25325792

Toll Free: 1800 3456 500



Authorised Dealer